

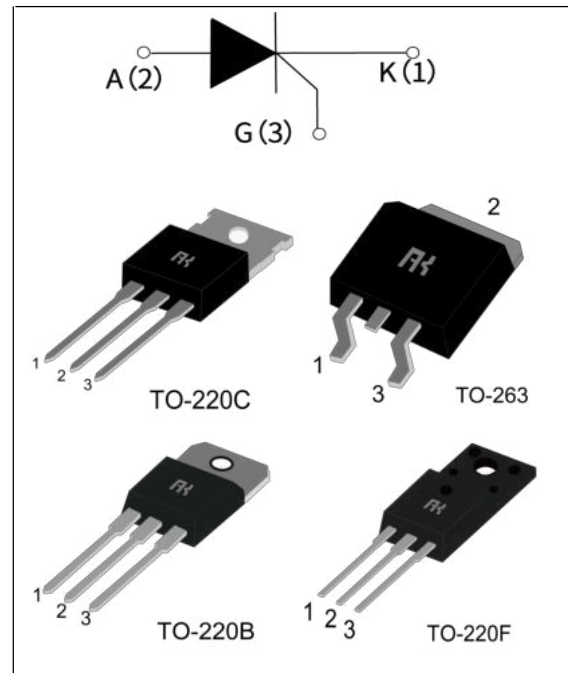
## BT152 Serial 16A SCRs

### GENERAL DESCRIPTION:

High current density due to sing mesa technology. BT152 series of silicon controlled rectifiers are specifically designed for medium power switching and phase control applications. BT152 series are suitable for general purpose applications. a high gate sensitivity is required.

### Main Features:

$I_T(RMS)$	VDRM/VRRM	VTM
16 A	600V and 800 V	$\leq 1.75$ V



### Absolute Ratings(limiting values) :

Symbol	Parameter	value	Unit	
$I_{T(RMS)}$	on-state RMS current(180°C conduction angle)	TO-220B/C Tc=110 C	16	A
		TO-220F Tc=90 C		
		TO-263 Tc=85 C		
$I_{TSM}$	Non repetitive surge peak on-state current (Tj= 25 °C)	tp= 8.3 ms	200	A
		tp = 10 ms	190	
$V_{DRM}$	Repetitive peak off-state voltage(Tj =25°C)	600 and 800	V	
$V_{RRM}$	Repetitive peak reverse voltage(Tj =25°C)	600 and 800	V	
$T_{stg}$ $T_j$	Storage and operating junction temperature range	- 40 to + 150 - 40 to + 125	°C	
$I^2t$	$I^2t$ value for fusing Tj = 125°C	tp = 10 ms	180	A <sup>2</sup> s
$di/dt$	Critical rate of rise of on-state current IG=2xIGT, tr≤100ns	50	A/μs	
$I_{GM}$	Peak gate current tp=20us Tj=125°C	4	A	
$P_{GM}$	Peak gate power tp=20us Tj=125°C	5	W	
$P_{G(av)}$	Average gate power dissipation Tj=125°C	1	W	

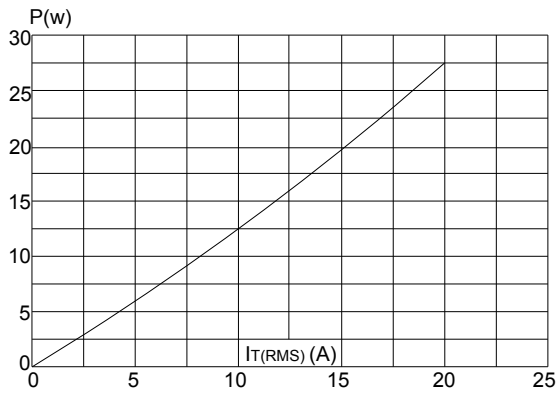
**Electrical Characteristics :**

Symbol	Test Condition	range	Value	Unit	
<b>I<sub>GT</sub></b>	V <sub>D</sub> =12V    R <sub>L</sub> =3.3kΩ	T <sub>j</sub> =25°C	MAX	15	mA
<b>V<sub>GT</sub></b>		T <sub>j</sub> =25°C	MAX	1.5	V
<b>V<sub>GD</sub></b>	V <sub>D</sub> =V <sub>DRM</sub> R <sub>L</sub> =3.3kΩ	T <sub>j</sub> =125°C	MIN	0.2	V
<b>t<sub>gt</sub></b>	V <sub>D</sub> =V <sub>DRM</sub> I <sub>G</sub> = 500mA    dI <sub>G</sub> /dt = 0.2A/μs	T <sub>j</sub> =25°C	TYP	2	μs
<b>I<sub>L</sub></b>	V <sub>D</sub> =12V    I <sub>GT</sub> = 0.1 A	T <sub>j</sub> =25°C	TYP	40	mA
<b>I<sub>H</sub></b>	I <sub>T</sub> = 500mA gate open	T <sub>j</sub> =25°C	MAX	30	mA
<b>V<sub>TM</sub></b>	I <sub>TM</sub> = 2*I <sub>T (RMS)</sub> tp=380μs	T <sub>j</sub> =25°C	MAX	1.75	V
<b>I<sub>DRM</sub></b> <b>I<sub>RRM</sub></b>	V <sub>D</sub> =V <sub>DRM</sub> , V <sub>R</sub> =V <sub>RRM</sub>	T <sub>j</sub> =125°C	TYP	5	μA
		T <sub>j</sub> =125°C	MAX	2	mA
<b>dV/dt</b>	V <sub>D</sub> =67%V <sub>DR</sub> exponential waveform; R <sub>GK</sub> = 100 Ω	T <sub>j</sub> =125°C	TYP	500	V/μs

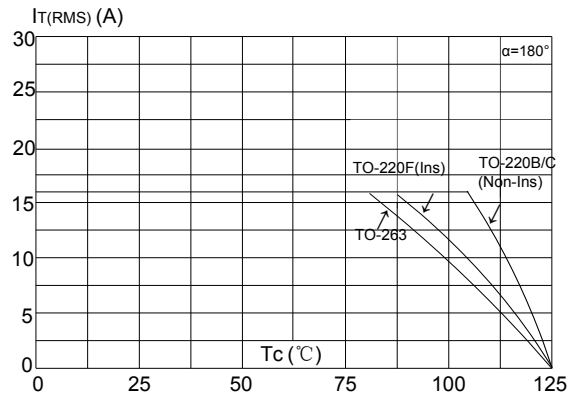
**Thermal Resistances :**

Symbol	Parameter	Value	Unit
<b>R<sub>th (j-c)</sub></b>	junction to mounting base	TO-220B/C	1.05
		TO-220F	2.2
		TO-263	2.5

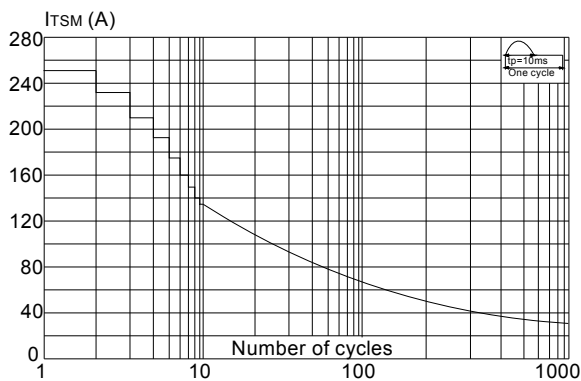
**FIG.1: Maximum power dissipation versus RMS on-state current**



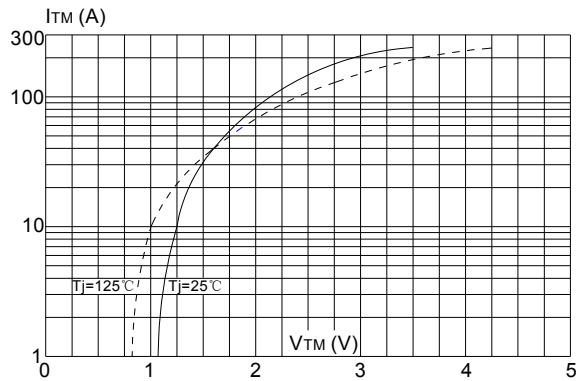
**FIG.2: RMS on-state current versus case temperature**



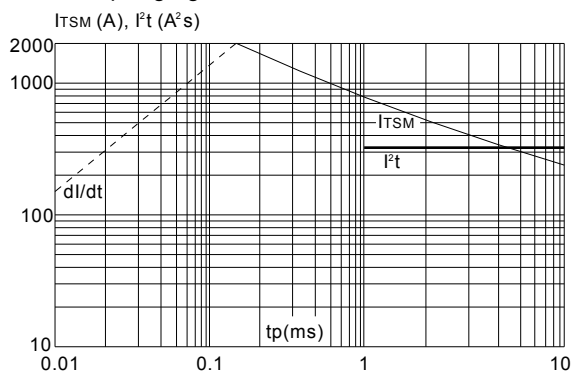
**FIG.3: Surge peak on-state current versus number of cycles**



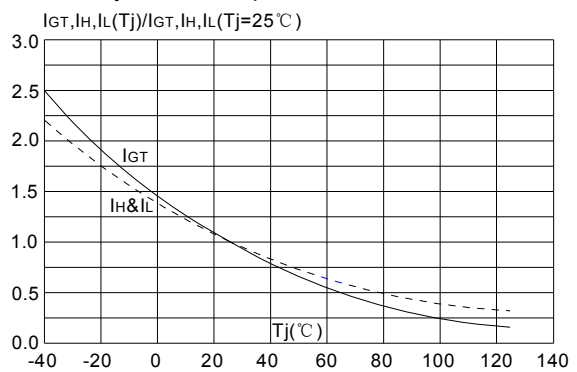
**FIG.4: On-state characteristics (maximum values)**



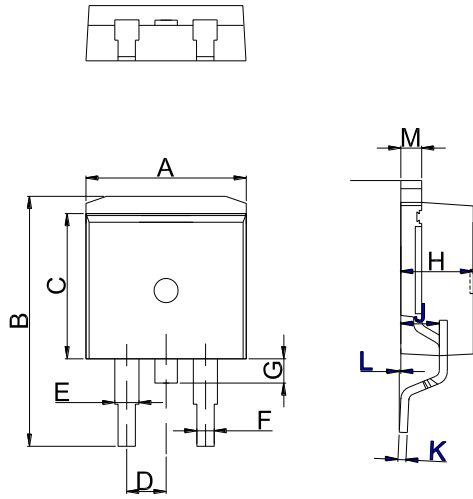
**FIG.5: Non-repetitive surge peak on-state current for a sinusoidal pulse with width tp<10ms, and corresponding value of I²t**



**FIG.6: Relative variations of gate trigger current, holding current and latching current versus junction temperature**

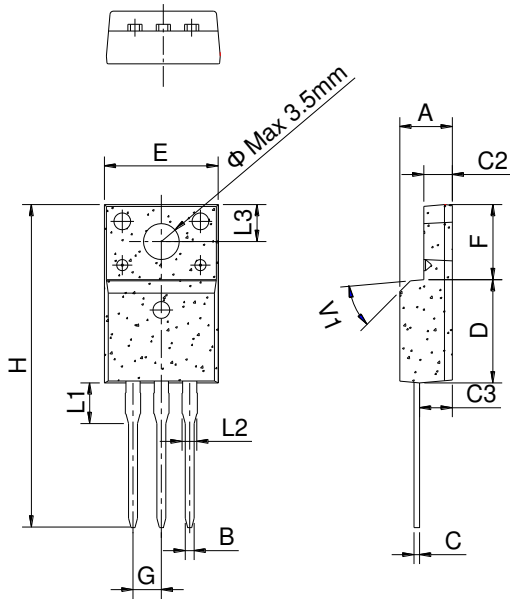


**Package Mechanical Data :**



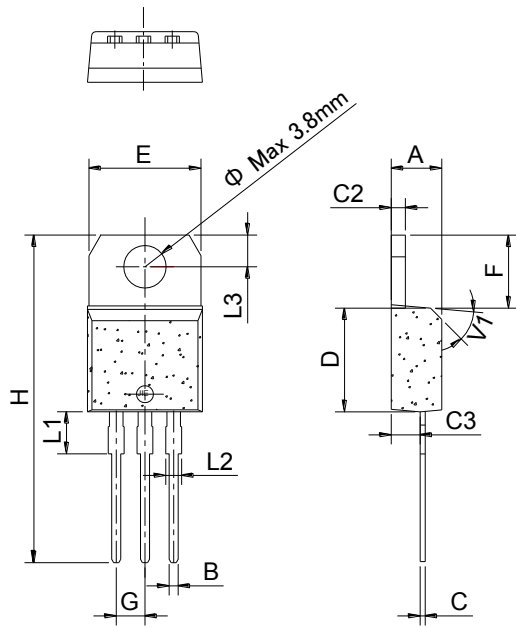
TO-263

Ref.	Dimensions					
	Millimeters			Inches		
	Min.	Typ.	Max.	Min.	Typ.	Max.
A	9.90		10.20	0.390		0.402
B	14.70		15.80	0.579		0.622
C	9.4		9.6	0.37		0.378
D		2.54			0.100	
E	1.20		1.40	0.047		0.055
F	0.75		0.85	0.029		0.033
G			1.75			0.069
H	4.40		4.70	0.173		0.185
J	2.30		2.70	0.091		0.106
K	0.38		0.55	0.015		0.022
L	0	0.10	0.25	0	0.004	0.010
M	1.25		1.35	0.049		0.053



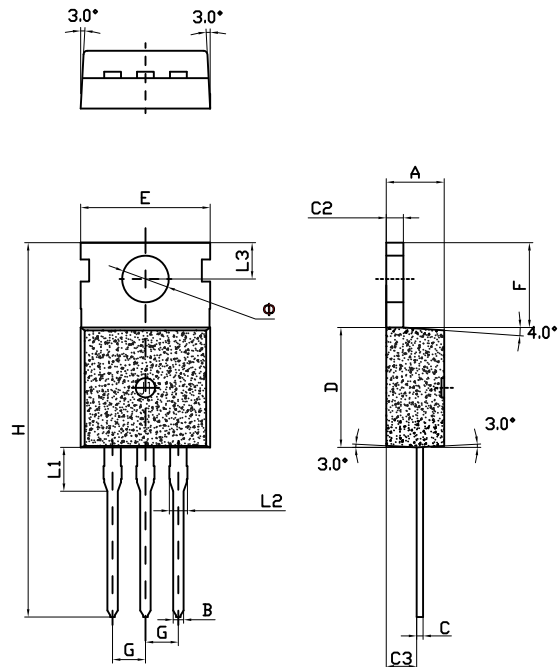
TO-220F Ins

Ref.	Dimensions					
	Millimeters			Inches		
	Min.	Typ.	Max.	Min.	Typ.	Max.
A	4.40		4.80	0.173		0.189
B	0.74	0.80	0.83	0.029	0.031	0.033
C	0.48		0.75	0.019		0.030
C2	2.40		2.70	0.094		0.106
C3	2.60		3.00	0.102		0.118
D	8.80		9.30	0.346		0.366
E	9.70		10.3	0.382		0.406
F	6.40		7.00	0.252		0.276
G		2.54			0.1	
H	28.0		29.8	1.102		1.173
L1		3.63			0.143	
L2	1.14		1.70	0.045		0.067
L3		3.30			0.130	
V1		45°			45°	



TO-220B

Ref.	Dimensions					
	Millimeters			Inches		
	Min.	Typ.	Max.	Min.	Typ.	Max.
A	4.40		4.60	0.173		0.181
B	0.61		0.88	0.024		0.035
C	0.46		0.70	0.018		0.028
C2	1.21		1.32	0.048		0.052
C3	2.40		2.72	0.094		0.107
D	8.60		9.70	0.339		0.382
E	9.60		10.4	0.378		0.409
F	6.20		6.60	0.244		0.260
G		2.54			0.1	
H	28.0		29.8	1.102		1.173
L1		3.75			0.148	
L2	1.14		1.70	0.045		0.067
L3	2.65		2.95	0.104		0.116
V1		45°			45°	



TO-220C

Ref.	Dimensions					
	Millimeters			Inches		
	Min.	Typ.	Max.	Min.	Typ.	Max.
A	4.4		4.6	0.173		1.181
B	0.7		0.9	0.027		0.035
C	0.45		0.6	0.018		0.024
C2	1.23		1.32	0.048		0.052
C3	2.2		2.6	0.086		0.102
D	8.9		9.9	0.350		0.390
E	9.9		10.3	0.390		0.406
F	6.3		6.9	0.248		0.272
G		2.54			0.1	
H	28.0		29.8	11.0		11.7
L1		3.2			0.126	
L2	1.14		1.7	0.045		0.067
L3	2.65		2.95	0.104		0.116
Φ		3.6			0.142	