

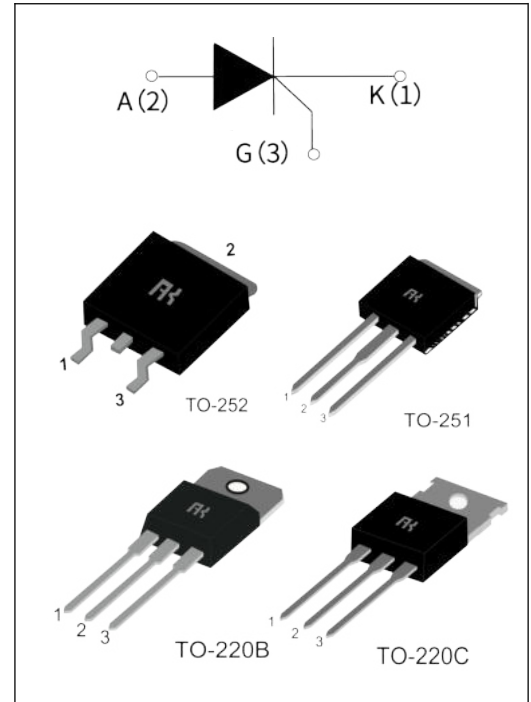
BT150 Serial 4A SCRs

GENERAL DESCRIPTION

High current density due to singel mesa technology. BT150 series of silicon controlled rectifiers are specifically designed for medium power switching and phase control applications. BT150 series are suitable for general purpose applications. a high gate sensitivity is required.

Main Features:

IT(RMS)	VDRM/VRRM	VTM
4A	600V and 800 V	≤1.7 V



Absolute Ratings(limiting values) :

Symbol	Parameter	value	Unit	
IT(RMS)	on-state RMS current(180°C conduction angle)	TO-251/ TO-252 (TC=90 °C)	4	A
		TO-220B/C (TC=97 °C)		
ITSM	Non repetitive surge peak on-state current (Tj= 25 °C)	tp= 8.3 ms	35	A
		tp = 10 ms		
VDRM	Repetitive peak off-state voltage(Tj =25°C)	600 and 800	V	
VRRM	Repetitive peak reverse voltage(Tj =25°C)	600 and 800	V	
Tstg Tj	Storage and operating junction temperature range	- 40 to + 150 - 40 to + 125	°C	
I²t	I²t value for fusing Tj = 125°C	tp = 10 ms	4.5	A²s
di/dt	Critical rate of rise of on-state current IG=2xIGT, tr≤100ns	50	A/μs	
IGM	Peak gate current tp=20us Tj=125°C	1.2	A	
PGM	Peak gate power tp=20us Tj=125°C	2	W	
PG(av)	Average gate power dissipation Tj=125°C	0.2	W	

Electrical Characteristics :

Symbol	Test Condition	range	Value	Unit	
I_{GT}	$V_D=12V$ $R_L=33\Omega$	$T_j=25^\circ C$	MAX	200	μA
V_{GT}		$T_j=25^\circ C$	MAX	0.8	V
V_{GD}	$V_D=V_{DRM}$ $R_L=3.3k\Omega$	$T_j=110^\circ C$	MIN	0.2	V
t_{gt}	$V_D=V_{DRM}$ $I_G=500mA$ $dI_G/dt=0.2A/\mu s$	$T_j=25^\circ C$	TYP	2	μs
I_L	$V_D=12V$ $I_{GT}=0.1A$	$T_j=25^\circ C$	MAX	6	mA
I_H	$I_T=500mA$ gate open	$T_j=25^\circ C$	MAX	5	mA
V_{TM}	$I_{TM}=2*I_{T(RMS)}$ $t_p=380\mu s$	$T_j=25^\circ C$	TYP	1.5	V
I_{DRM} I_{RRM}	$V_D=V_{DRM}$, $V_R=V_{RRM}$	$T_j=25^\circ C$	TYP	5	μA
		$T_j=110^\circ C$	MAX	100	μA
dV_D/dt	$V_D=67\%V_{DR}$ exponential waveform; $R_{GK}=100\Omega$	$T_j=125^\circ C$	MAX	10	V/ μs

Thermal Resistances :

Symbol	Parameter	Value	Unit
$R_{th(j-c)}$	junction to case	TO-252/251	6.5
		TO-220B/C	3.0

FIG.1: Maximum power dissipation versus RMS on-state current

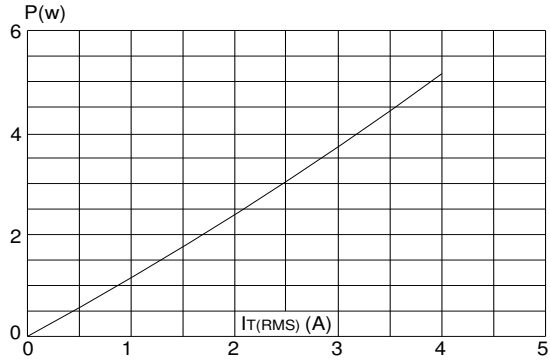


FIG.2: RMS on-state current versus case temperature

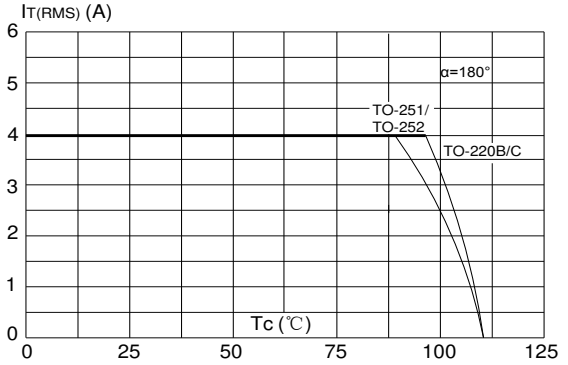


FIG.3: Surge peak on-state current versus number of cycles

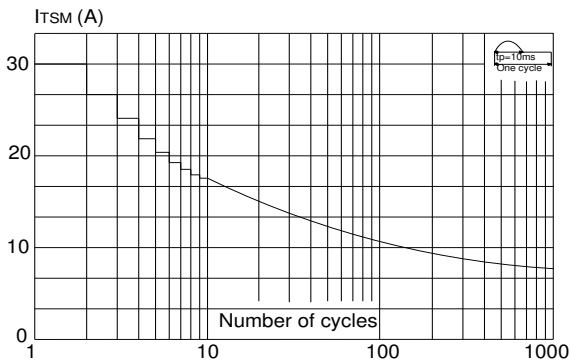


FIG.4: On-state characteristics (maximum values)

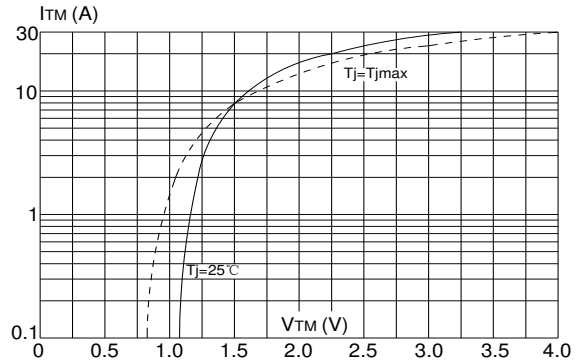


FIG.5: Non-repetitive surge peak on-state current for a sinusoidal pulse with width $t_p < 10\text{ms}$, and corresponding value of I^2t ($di/dt < 50\text{A}/\mu\text{s}$)

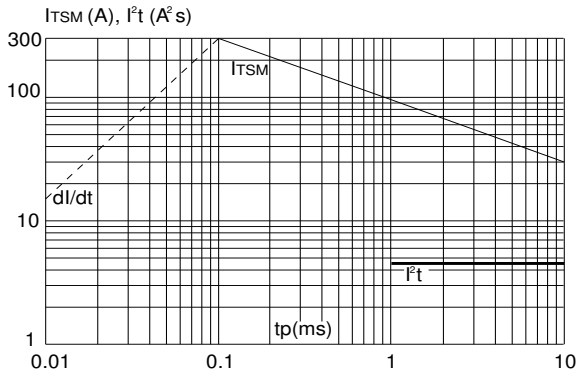
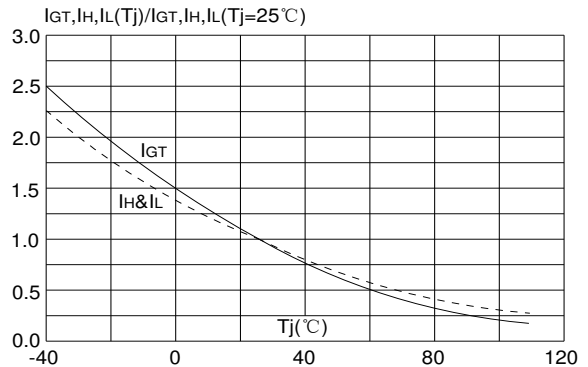
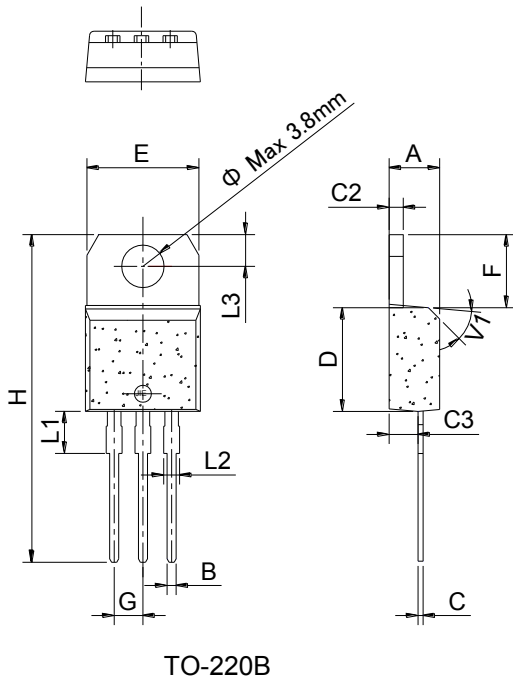


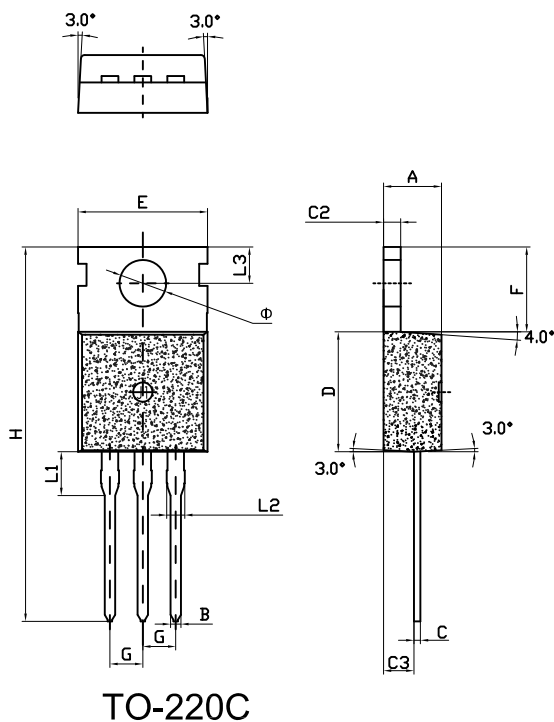
FIG.6: Relative variations of gate trigger current, holding current and latching current versus junction temperature



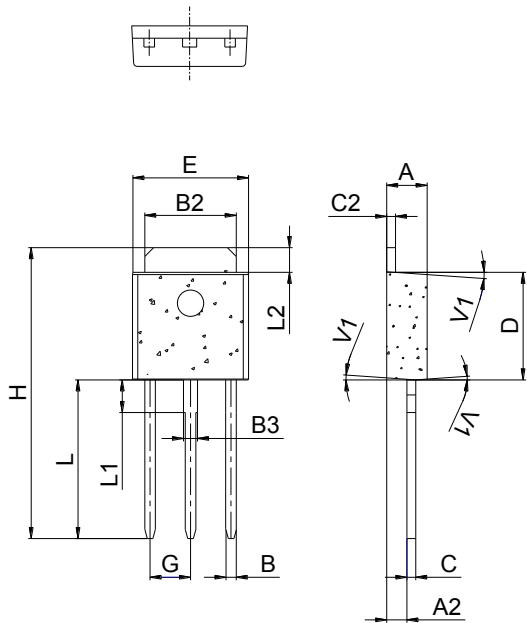
Package Mechanical Data :



Ref.	Dimensions					
	Millimeters			Inches		
	Min.	Typ.	Max.	Min.	Typ.	Max.
A	4.40		4.60	0.173		0.181
B	0.61		0.88	0.024		0.035
C	0.46		0.70	0.018		0.028
C2	1.21		1.32	0.048		0.052
C3	2.40		2.72	0.094		0.107
D	8.60		9.70	0.339		0.382
E	9.60		10.4	0.378		0.409
F	6.20		6.60	0.244		0.260
G		2.54			0.1	
H	28.0		29.8	1.102		1.173
L1		3.75			0.148	
L2	1.14		1.70	0.045		0.067
L3	2.65		2.95	0.104		0.116
V1		45°			45°	

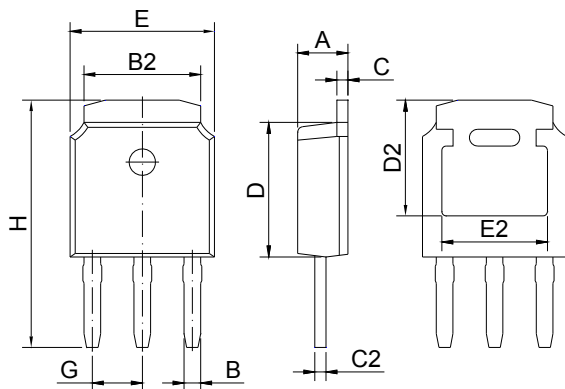


Ref.	Dimensions					
	Millimeters			Inches		
	Min.	Typ.	Max.	Min.	Typ.	Max.
A	4.4		4.6	0.173		1.181
B	0.7		0.9	0.027		0.035
C	0.45		0.6	0.018		0.024
C2	1.23		1.32	0.048		0.052
C3	2.2		2.6	0.086		0.102
D	8.9		9.9	0.350		0.390
E	9.9		10.3	0.390		0.406
F	6.3		6.9	0.248		0.272
G		2.54			0.1	
H	28.0		29.8	11.0		11.7
L1		3.2			0.126	
L2	1.14		1.7	0.045		0.067
L3	2.65		2.95	0.104		0.116
Phi		3.6			0.142	



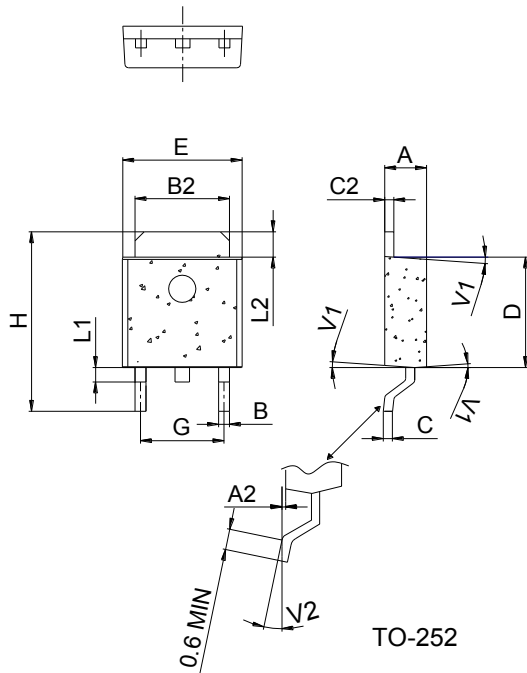
TO-251

Ref.	Dimensions					
	Millimeters			Inches		
	Min.	Typ.	Max.	Min.	Typ.	Max.
A	2.20		2.40	0.086		0.095
A2	0.90		1.20	0.035		0.047
B	0.55		0.65	0.022		0.026
B2	5.10		5.40	0.200		0.213
B3	0.76		0.85	0.030		0.033
C	0.45		0.62	0.018		0.024
C2	0.48		0.62	0.019		0.024
D	6.00		6.20	0.236		0.244
E	6.40		6.70	0.252		0.264
G		2.30			0.091	
H	16.0		17.0	0.630		0.669
L	8.90		9.40	0.350		0.370
L1	1.80		1.90	0.071		0.075
L2	1.37		1.50	0.054		0.059
V1		4°			4°	

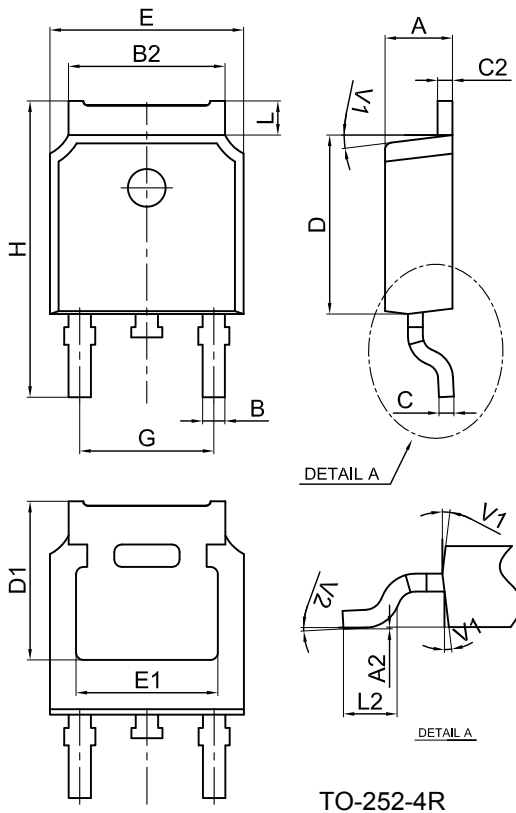


TO-251-4R

Ref.	Dimensions					
	Millimeters			Inches		
	Min.	Typ.	Max.	Min.	Typ.	Max.
A	2.10	2.30	2.50	0.083	0.091	0.098
B	0.66	0.76	0.86	0.026	0.030	0.034
B2	5.15	5.33	5.48	0.203	0.210	0.216
C	0.44	0.51	0.58	0.017	0.020	0.023
C2	0.44	0.51	0.58	0.017	0.020	0.023
D	5.90	6.10	6.30	0.232	0.240	0.248
D2	5.30 REF			0.209 REF		
E	6.40	6.60	6.80	0.252	0.260	0.268
E2	4.83 REF			0.190 REF		
G	2.19	2.29	2.39	0.086	0.090	0.094
H	10.60	11.20	11.80	0.417	0.441	0.465



Ref.	Dimensions					
	Millimeters			Inches		
	Min.	Typ.	Max.	Min.	Typ.	Max.
A	2.20		2.40	0.086		0.095
A2	0.03		0.23	0.001		0.009
B	0.55		0.65	0.022		0.026
B2	5.10		5.40	0.200		0.213
C	0.45		0.62	0.018		0.024
C2	0.48		0.62	0.019		0.024
D	6.00		6.20	0.236		0.244
E	6.40		6.70	0.252		0.264
G	4.40		4.70	0.173		0.185
H	9.35		10.6	0.368		0.417
L1	1.30		1.70	0.051		0.067
L2	1.37		1.50	0.054		0.059
V1		4°			4°	
V2	0°		8°	0°		8°



Ref.	Dimensions					
	Millimeters			Inches		
	Min.	Typ.	Max.	Min.	Typ.	Max.
A	2.10		2.50	0.083		0.098
A2	0		0.10	0		0.004
B	0.66		0.86	0.026		0.034
B2	5.18		5.48	0.202		0.216
C	0.40		0.60	0.016		0.024
C2	0.44		0.58	0.017		0.023
D	5.90		6.30	0.232		0.248
D1	5.30REF			0.209REF		
E	6.40		6.80	0.252		0.268
E1	4.63			0.182		
G	4.47		4.67	0.176		0.184
H	9.50		10.70	0.374		0.421
L	1.09		1.21	0.043		0.048
L2	1.35		1.65	0.053		0.065
V1		7°			7°	
V2	0°		6°	0°		6°